

CONSOLE REMOVAL/INSTALLATION

1. Detach clips A, B and C and remove the upper panel.

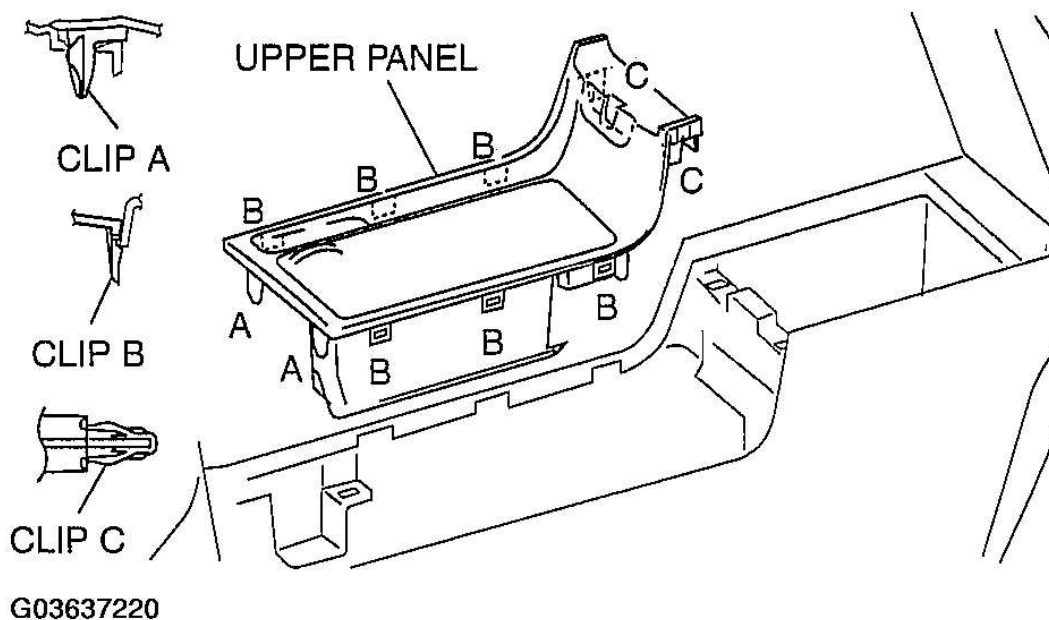
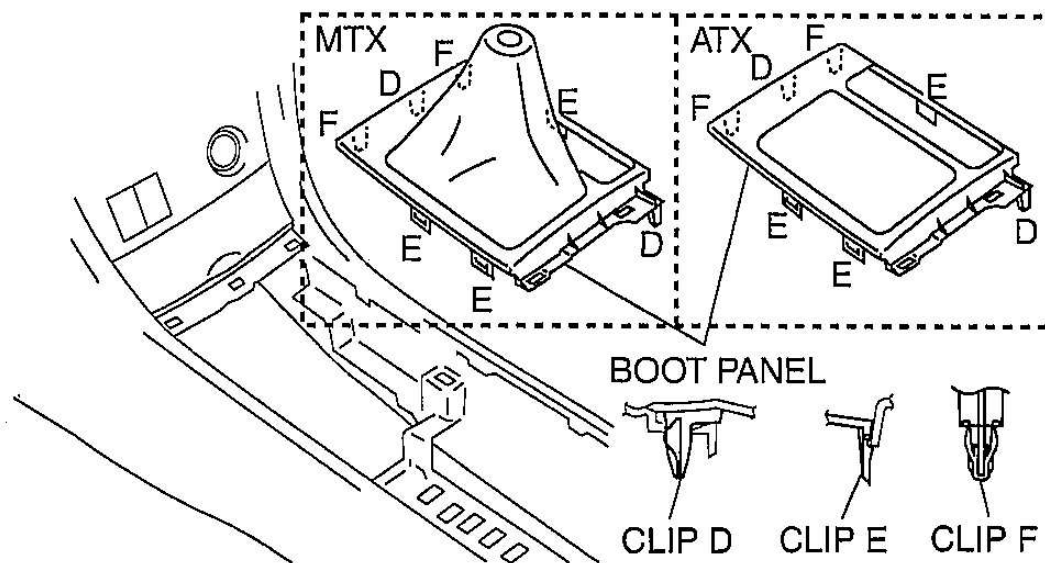


Fig. 14: Detaching Clips A, B & C Of Console Upper Panel
Courtesy of MAZDA MOTORS CORP.

2. Detach clips D, E and F and remove the boot panel.



G03637221

Fig. 15: Detaching Clips D, E & F Of Boot Panel
 Courtesy of MAZDA MOTORS CORP.

3. Remove screws A.
4. Detach clips G.
5. Disconnect the cigarette lighter connector.

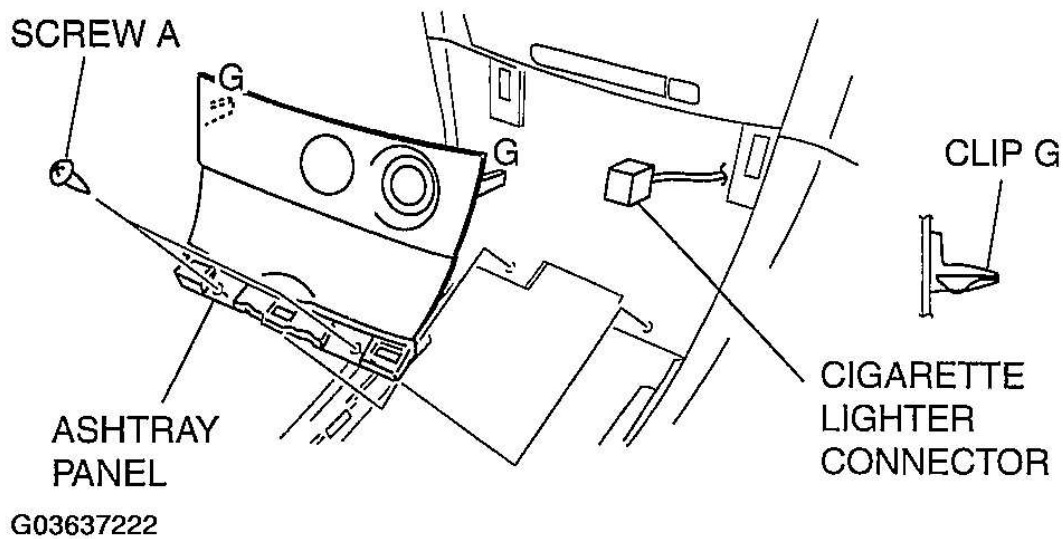
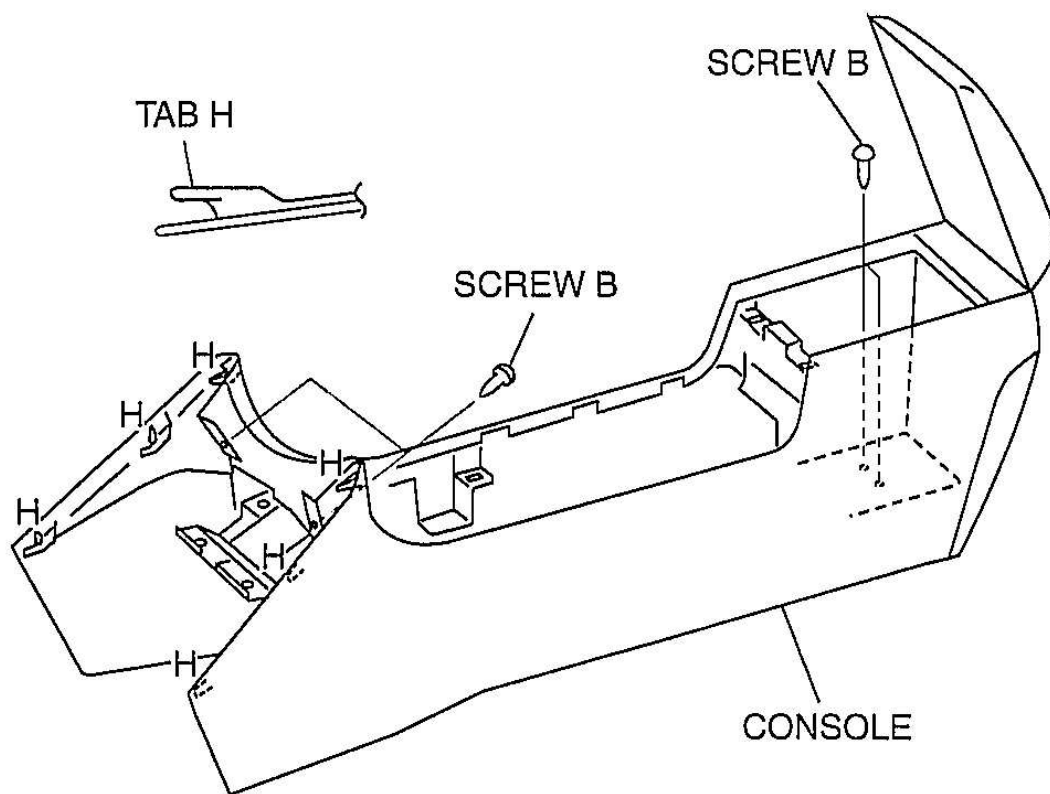


Fig. 16: Disconnecting Cigarette Lighter Connector

Courtesy of MAZDA MOTORS CORP.

6. Remove the ashtray illumination, then remove the ashtray panel.
7. Remove the screws B.
8. Detach tabs H and remove the console.



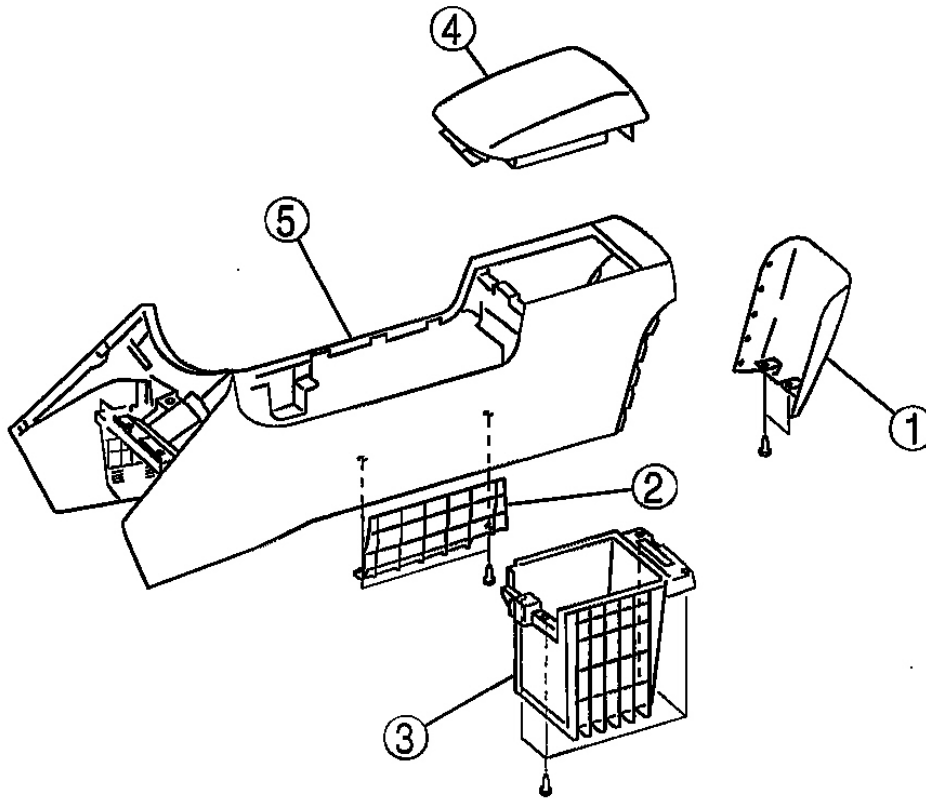
G03637223

Fig. 17: Detaching Tabs H & Remove Console
Courtesy of MAZDA MOTORS CORP.

9. Install in the reverse order of removal.

CONSOLE DISASSEMBLY/ASSEMBLY

1. Disassemble in the order indicated in the figure.
2. Assemble in the reverse order of disassembly.



1	Console panel
2	Plate
3	Rear console box
4	Console lid
5	Console

G03637224

Fig. 18: Console Disassembly/Assembly
 Courtesy of MAZDA MOTORS CORP.